

ProTech™ WD Bearing Isolators

No. 5270B1/USA

Superior Bearing Protection for Wash Down Motors

Innovative design provides 100% exclusion

Parker's Hannifin's innovative ProTech WD provides the highest level of exclusion against high-pressure water spray and dust, per IP69K from the International Electromechanical Commission (IEC), specification 60034-5. The seal provides superior bearing protection on wash down motors, making it ideal for food processing applications. The proprietary labyrinth design outperforms and outlasts isolators that rely on a single internal O-ring for sealing.

Features of the ProTech WD

- Designed to meet wash down requirements of the food industry. Multi-positional design for sealing regardless of installed motor position
- Non-contact design means seal will not wear out
- Unitized construction provides one-piece cartridge installation
- Proprietary labyrinth design outperforms and outlasts isolators that rely on a single internal o-ring for sealing
- Economical upgrade even on 140 frame size
- Food Grade and anti-microbial material available per ASTM JIS Z2801 testing
- Meets IP-56, IP-66 and IP69K testing for dust and water exclusion



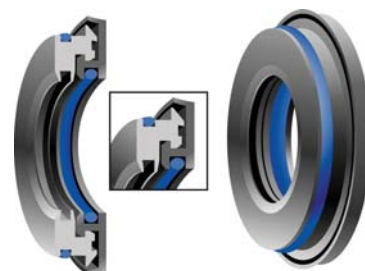
ProTech WD performs with 100% exclusion of dust and water in applications such as food processing



Quality

ProTech bearing isolators are manufactured under tight control of the entire process -- from raw materials to finished product. The highest quality and absolute consistency from lot to lot are assured by:

- Use of only first-grade PTFE resins
- Our sophisticated system for controlling the critical sintering process
- Specialized CNC production equipment



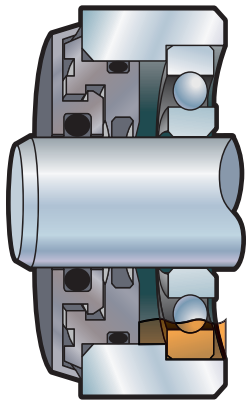
ProTech Materials

ProTech's standard reinforced PTFE construction provides a wide range of operating capabilities including high or low temperatures and extreme chemical environments. The addition of other PTFE fillers extends the capability to special designs and services with enhanced physical properties. Two examples are large-diameter seals and food service requirements.

Contact us

Contact our experienced application engineers for technical information on ProTech bearing isolators Toll-free 1-800-233-3900.

Copyright © 2005, Parker Hannifin Corporation, Cleveland, OH. All Rights Reserved



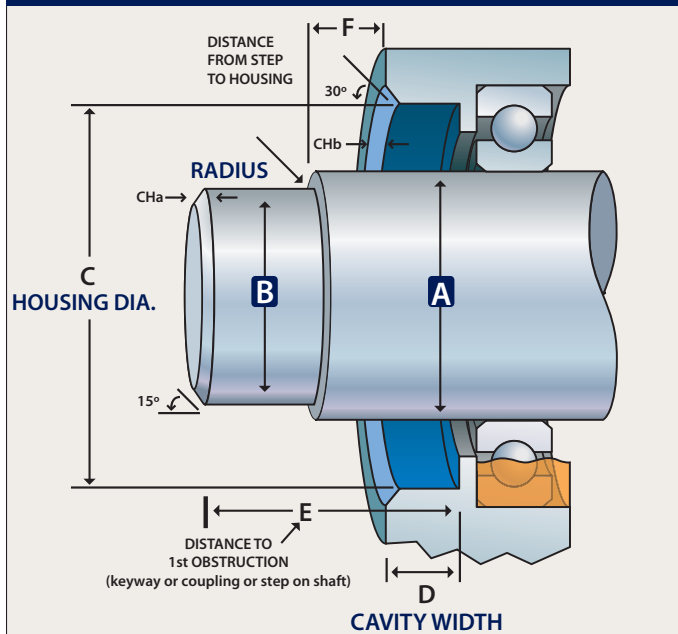
WD - Wash Down Motor Design

Application experience
 With over 100 years experience in the design and manufacturing of sealing solutions for industrial applications, Parker is an industry leader in seal design and the innovation leader when it comes to bearing isolator design.

Best solution for food processing applications
 ProTech's unique designs and superior performance are eating the competitor's lunch in the food processing market. From economical designs for high

volume disposable equipment such as wash down grade motors and drives to picker hubs. ProTech adds value by decreasing down time common with wash down applications. FDA materials available.

ProTech Design Criteria



"A" Shaft Dia. _____ "B" Shaft Dia. _____
 "C" Bore Dia. _____ "D" Bore Depth _____
 "E" Distance to 1st obstruction _____
 "F" Distance from housing to step _____
 Shaft Speed _____ RPM _____ FPM
 FDA Material Required Y N
 Lubricant Oil Grease Dry Running
 Shaft Movement Rotates Oscillates
 Reciprocates Static
 Shaft Position Horizontal Vertical Up
 Vertical Down Other (explain) _____

STANDARD OPERATING PARAMETERS

Total Eccentricity	.020" (.51mm)
Shaft Speed	Up to 5,000 fpm
Pressure	0 psi
Temp. Range	40 to 250 F (-40 to 121 C)
Axial Movement	.020" (special designs up to .070")
Seal Material	
Standard	Proprietary PTFE
Optional	Food Grade & Anti Microbial
O-Ring Material	FKM

LUBRICATION

	Position	Grease	Oil	Dry
Horizontal	Y	Y	N	Y
Vertical Up	Y	Y	N	Y
Vertical Down	N	Y	N	Y

Retain	Grease and oil splash (oil level must be below shaft)
Exclude	Heavy water spray & dry contaminates from bearing cavity

Equipment Small disposable motors and equipment for food processing industry, economical price for 140 & 180 frame 841 motors and other high volume OEM equipment requiring wash down protection where cost to upgrading the seal has been a deterrent.

(Provide all details)

Lubrication System

- Splash, oil level at/below centerline of bearing roller
- Flooded, oil level above shaft
- Oil mist
- Grease with purge system

Medial Sealed Out

- Dry Moderate dust Heavy dust
- Wet Light spray Heavy spray

Internal Pressure _____ PSI _____

Temp °F °C _____ Min _____ Avg _____ Max

Shaft axial movement _____

Shaft to bore misalignment _____

Equipment Type _____

Mfg. _____ Model _____