

Split Pillow Block Design – LB Standard Operating Parameters

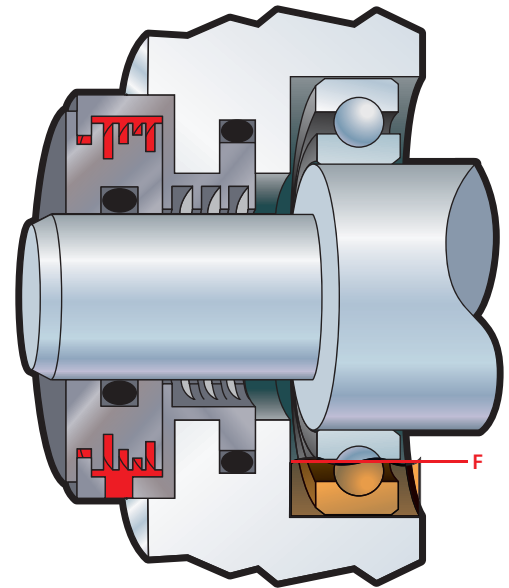
- Total Eccentricity: .020" (.51 mm)
- Shaft Speed: Up to 5,000 fpm (25 m/s)
- Pressure: 0 psi / bar
- Temperature Range: -40 to 250 F (-40 to 121 C)
- Axial Movement: .020" (.51 mm) special designs up to .070" (1.78 mm)
- Shaft / Bore Tolerances: ± .002" (± .05 mm)
Special designs available

Seal Material:

- Standard Proprietary PTFE
- Optional Food grade, Anti microbial, FDA 3A

O-Ring Material:

- Standard FKM
- Optional NBR, FDA silicone, EPDM, Aflas®



Split Seal Design (SB) Also Available

MOUNTING		LUBRICATION		
	Position	Grease	Oil	Dry
Horizontal	Y	Y	Y	Y
Vertical Up	Y	Y	Y	Y
Vertical Down	Y	Y	N	Y

Retain: Grease and oil splash (operating oil level in cavity between seal and bearing must be below inboard oil drain-back port of seal "F")

Exclude: Heavy water spray and dry contaminants from bearing cavity. Excellent for taconite exclusion

Equipment: Drop-in replacement for LER seal. Available as a solid (LB) or split (SB) seal. Easily interchanged by LER No. and shaft diameter. Contact authorized distributor for complete interchange

SPLIT PILLOW BLOCK BEARING			
HOUSING	SHAFT	LER	PROTECH PART NO.
SAF 211, 209, 212, 309, 311, 513	2-1/4	30	LBE-2250-2823-J64
SAF 210, 310	2-3/8	35	LBE-2375-2948-M07
SAF 213, 313, 515, 615	2-7/16	37	LBE-2438-3188-D96
SAF 213, 313, 515, 615	2-1/2	38	LBE-2500-3188-J61
SAF 211, 311	2-9/16	40	LBE-2563-3198-K90
SAF 215, 312, 314, 516, 616	2-5/8	43	LBE-2625-3563-AI58
SAF 215, 312, 314, 516, 616	2-11/16	44	LBE-2688-3563-D97
SAF 215, 312, 314, 516, 616	2-3/4	45	LBE-2750-3563-R52
SAF 213, 216, 313, 517	2-15/16	53	LBE-2938-3813-B77
SAF 520, 620	3-7/16	102	LBE-3438-4460-C65
SAF 317, 522, 622	3-15/16	109	LBE-3938-4960-D98
SAF 220, 224, 320, 324, 526, 626	4-7/16	117	LBE-4438-5543-D36
SAF 222, 226, 322, 326, 528, 625	4-15/16	122	LBE-4938-5980-E29
SAF 224, 228, 324, 328, 530, 630	5-5/16	127	LBE-5313-6375-C97
SAF 532, 632	5-7/16	130	LBE-5438-6750-E30
SAF 232, 332, 534, 634	5-15/16	140	LBE-5938-7343-E92
SAF 234, 334, 536	6-7/16	148	LBE-6437-7780-E45
SAF 332, 336, 538, 638	6-15/16	224	LBE-6938-8282-K52
SAF 238, 338, 540, 640	7-5/16	228	LBE-7313-8570-G56
SAF 234, 240, 334, 340	7-7/16	161	LBE-7438-8945-D02