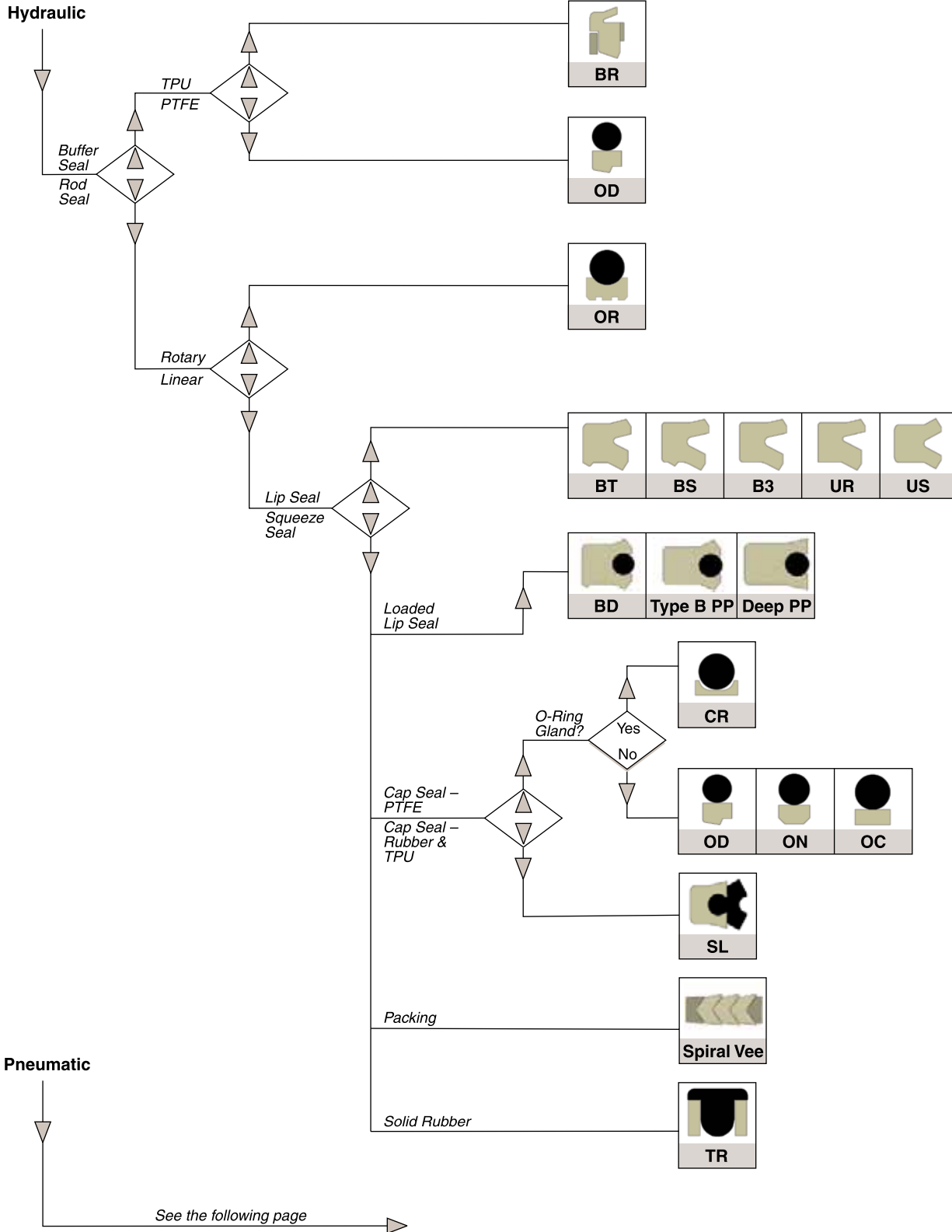


Rod Seal Decision Tree



Rod Seals

Non-Symmetrical Rod Decision Tree (continued)

