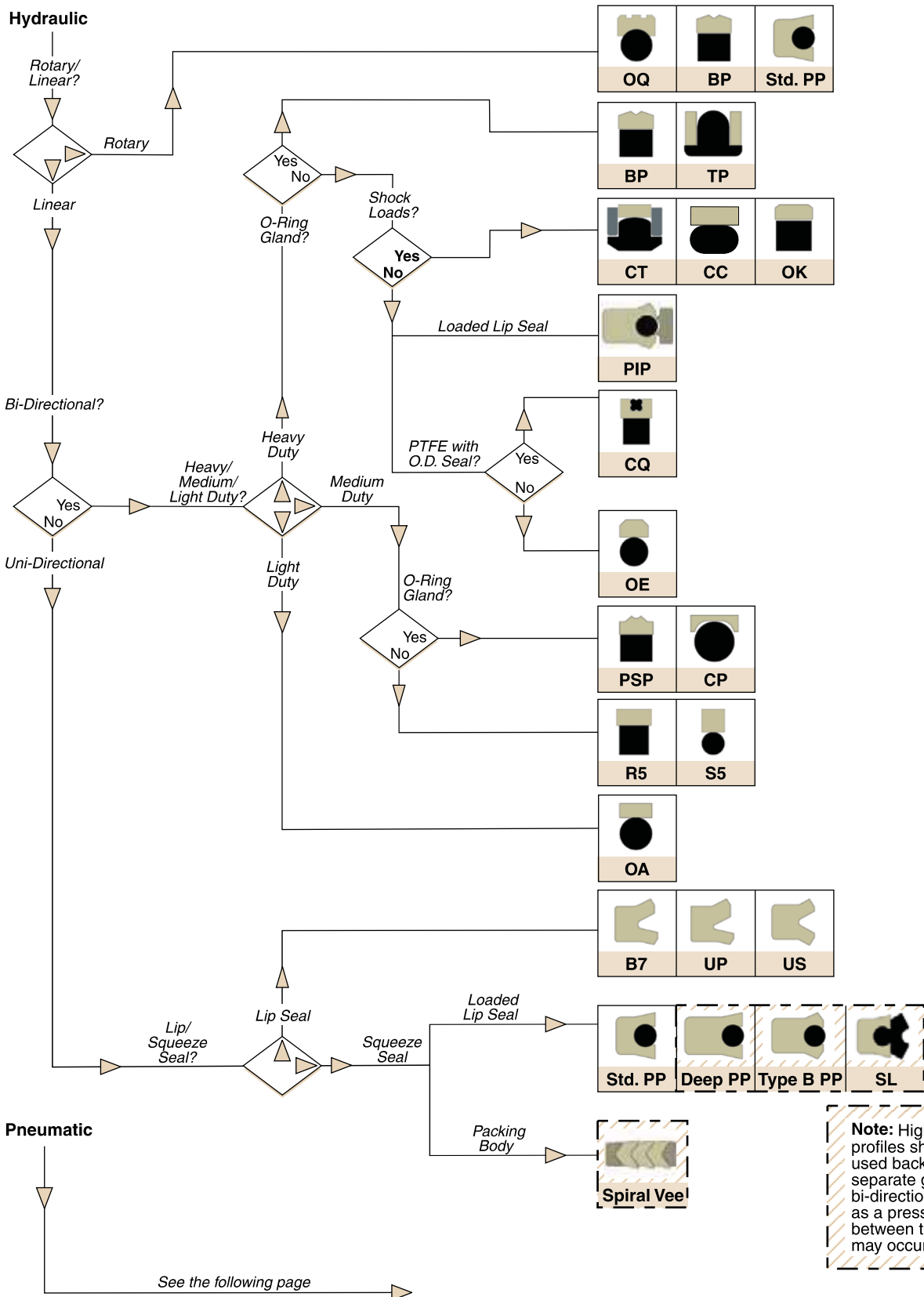


Piston Seal Decision Tree



Note: Highlighted profiles should not be used back to back in separate grooves for bi-directional sealing as a pressure trap between the seals may occur.

Piston Seals

Piston Seal Decision Tree (Continued)

