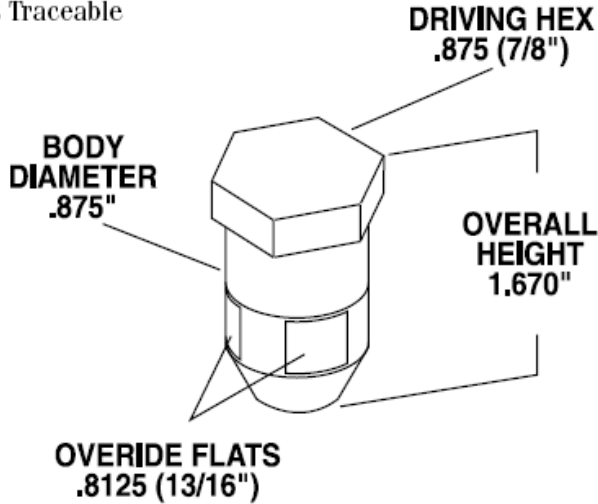
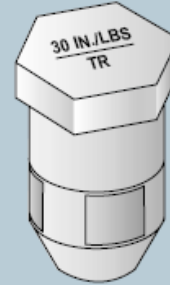


## Torque-Rite Specifications.

Material: 440C Stainless Steel  
 Hardness: 48 Rockwell  
 Overall Height: 1.670"  
 Driving Hex: .875 (7/8")  
 Body Diameter: .875"  
 Override Flats: .8125 (13/16")  
 Lot Traceable

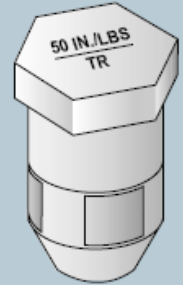


Torque-Rite is available in two models.



**Model**  
TR-30

**Perfect Surface Hygienic Seal Material**  
 Buna  
 Silicone  
 FKM  
 Fluoroelastomer  
 EPDM

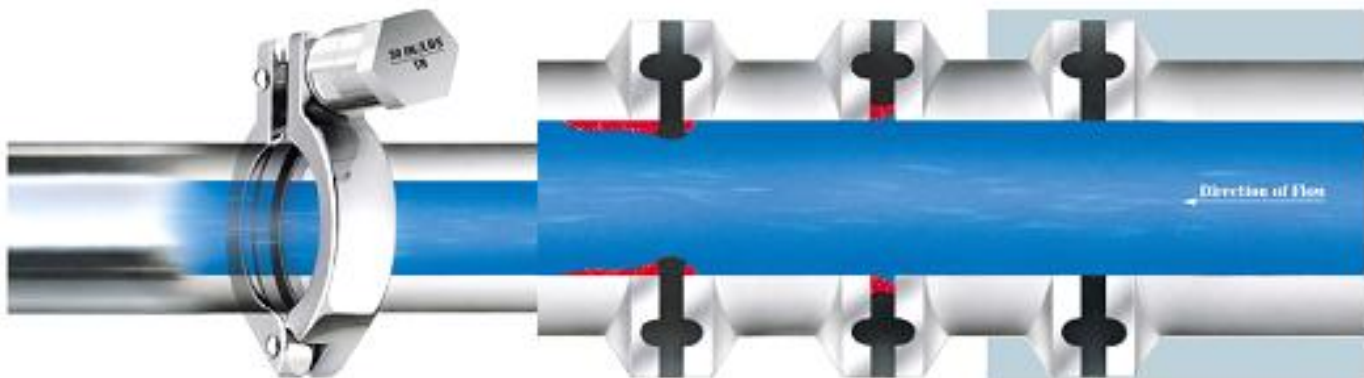


**Model**  
TR-50

**Perfect Surface Hygienic Seal Material**  
 PTFE  
 Tuf-Flex®  
 Tuf-Steel®  
 PTFE Envelope

## The Perfect Surface System

$$\frac{\text{Torque-Rite}}{\text{Perfect Surface Hygienic Seal}} = \frac{\text{Compression Control}}{\text{Expansion Control}} = \text{Perfect Surface}$$



**DAMMING:**  
 An over-tightened hygienic seal extrudes into the pipe, prevents draining, and allows deposits to build up behind the gasket.

**UNDER-TIGHTENING:**  
 May allow leakage. Can form concave surfaces at the product side of the hygienic seal affecting free drainage and cleaning.

**PERFECT SURFACE HYGIENIC SEAL SYSTEM:**  
 Torque-Rite and Perfect Surface Hygienic Seal eliminates the concerns associated with over- and under-tightening a hygienic seal. Insures that seal I.D. matches pipe I.D.